

---

**ENGINE, GASOLINE, 20 HP,  
MILITARY STANDARD MODELS  
MODEL 4A084-2, NSN 2805-00-952-3926)  
MODEL 4A084-3, NSN 2805-00-872-5972)  
MODEL 4A084-4, NSN 2805-01-276-5947)**

References: TM 9-2805-259-14, C9100-IL and FM 9-207

### REPORTING OF ERRORS

You can improve this publication by calling attention to errors and by recommending improvements and stating your reasons for the recommendations. Your letter or DA Form 2028, Recommended Changes to Publications and Forms, should be mailed directly to Commander, US Army Troop Support Command, ATTN: AMSTR-MMTS, 4300 Goodfellow Boulevard, St. Louis, MO 63120-1798. A reply will be furnished directly to you.

---

### NOTES

This LO is for crew/operator(C) or organizational (O) maintenance. Lube intervals (on-condition or hard time) and task hour times are based on normal hours of operation. Change the intervals if your lubricants are contaminated or if you are operating the equipment under adverse operating conditions. Lube more during constant use and less during periods of low activity. Adequate preservation precautions must be taken during inactive periods. Use correct grade of lubricant for seasonal temperature expected.

WARNING - Dry cleaning solvent PD-680 used to clean parts is potentially dangerous to personnel and property. Avoid repeated and prolonged skin contact. Do not use near open flame or excessive heat. Flash point of solvent is 100°F - 138°F (38°C - 60°C).

Clean parts with dry cleaning solvent PD-680 and dry before lubricating.

Before you start your lube service.

#### ALWAYS

- a. Clean parts before lubricating.
- b. Use the lubrication order as your guide.

#### NEVER

- a. Use wrong type/grade lubricant.
- b. Use too much lubricant.

The 20 HP military standard gasoline engine is not enrolled in the Army Oil Analysis Program (AOAP) HARD TIME INTERVALS APPLY.

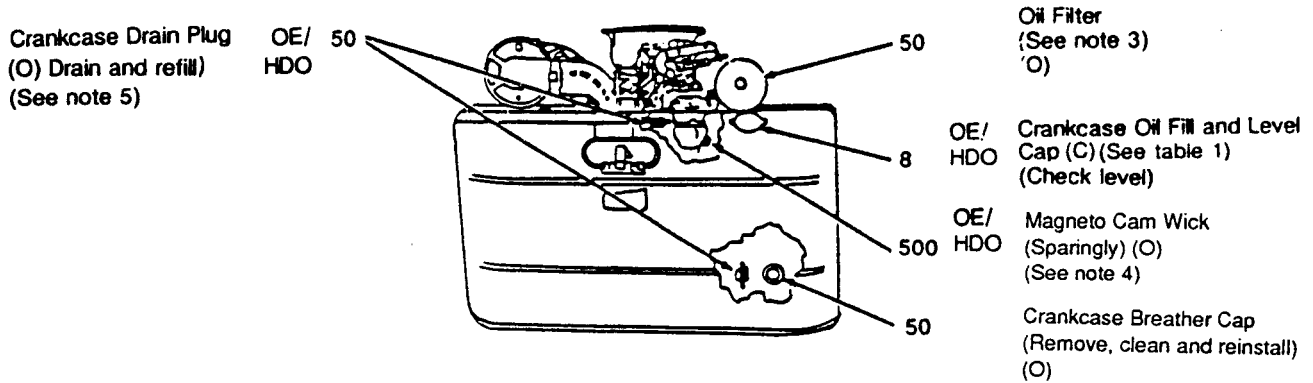
DISTRIBUTION STATEMENT A - Approved for public release; distribution is unlimited.

| *TOTAL TASK-HR |         | *TOTAL TASK-HR |         |
|----------------|---------|----------------|---------|
| INTERVAL       | TASK-HR | INTERVAL       | TASK-HR |
| 8              | 0.1     | 500            | 0.3     |
| 50             | 0.5     |                |         |

\*The time specified is the time required to perform all services at the particular interval (on-condition or hard time).

LUBRICANT ● INTERVAL

INTERVAL ● LUBRICANT



**TABLE 1. Lubricant Table for 20 HP Military Standard Gasoline Engine**

| Temperature Range                | Lubricant MIL. Symbol (NATO CODE) Specification | Capacity                    | Interval | Task-hour |
|----------------------------------|---|-----------------------------|----------|-----------|
| Above + 32°F (Above 0°C)         | OE/HDO 15/40 (0-1236)<br>MIL-L-2104             | *4 1/2 qt or (4.275L)       | 50 hrs   | 0.5       |
|                                  | OE/HDO 30 (0-238)<br>MIL-L-2104                 | **                          | 25 hrs   |           |
| -10°F to + 40°F (-23°C to + 5°C) | OE/HDO 15/40 (0-1236)<br>MIL-L-2104             | *4 1/2 qt or (4.275L)<br>** | 50 hrs   | 0.5       |
|                                  |   |                             | 25 hrs   |           |
| -65°F to 0°F (-50°C to -18°C)    | OEA/APG-PD-1 (D-183)<br>MIL-L-46167             | *4 1/2 qt or (4.275L)       | 50 hrs   | 0.5       |

\* Crankcase.  
\*\* Oil Can Points, See note 2.

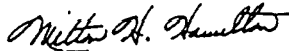
**NOTES:**

1. FOR OPERATION OF EQUIPMENT IN PROTRACTED COLD TEMPERATURE -10°F (-23°C). Remove lubricant prescribed in table 1 for temperatures above -10°F (-23°C). Clean parts with dry cleaning solvent PD-680. Relubricate with lubricants specified in table 1 for temperatures below -10°F (-23°C). For arctic operation refer to FM 9-207.
2. OIL CAN POINTS. Every 25 hours lubricate all exposed adjusting threads with OE/HDO.
3. OIL FILTER - Element/Spin-on types. Oil filters shall be serviced/cleaned/changed as applicable when:
  - a. They are known to be contaminated, or clogged;
  - b. At prescribed on-condition or hard time intervals.
4. Insure cam wick is lubricated with OE/HDO (sparingly) whenever ignition contact points are replaced or adjusted.
5. CRANKCASE. Drain crankcase when hot. Every 50 hours drain and refill crankcase, operate engine for five minutes, check for leaks, check crankcase oil level and bring to full mark.

Copy of this lubrication order will remain with the equipment at all times; instructions herein are mandatory.

**By Order of the Secretaries of the Army and Navy (Including the Marine Corps):**

Official:



MILTON H. HAMILTON  
Administrative Assistant to the  
Secretary of the Army

00441

GORDON R. SULLIVAN  
General, United States Army  
Chief of Staff

**DAVID E. BOTTORFF**  
Rear Admiral, CEC, US Navy  
Commander  
Navy Facilities Engineering Command

**H.E. REESE**  
Deputy for Support  
Marine Corps Research, Development and  
Acquisition Command

**DISTRIBUTION:**

To be distributed in accordance with DA Form 12-25E, qty rqr block no. 4155.

